

V70 XC (01-) / XC70 (-07), 2004, B5254T2, L.H.D

19/5/2010



PRINT

Center console, replacing

Assembly center console, replacing

Removing center tunnel console

V70

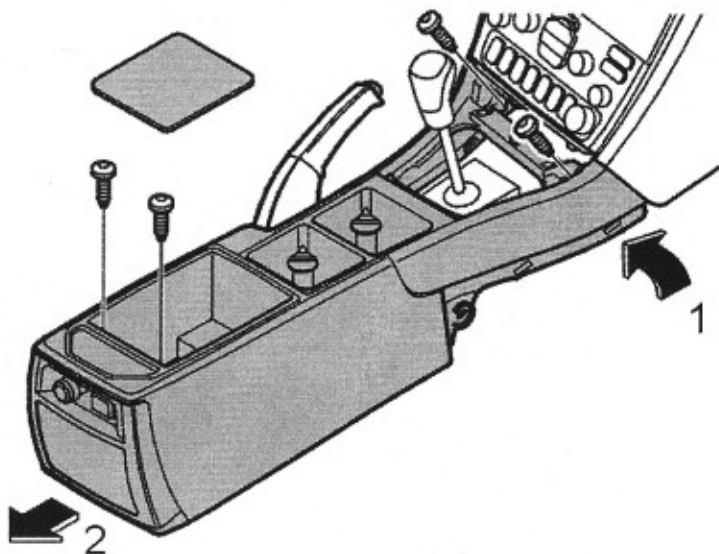
- Remove the center console. See Center console, replacing: Removing the center console (V70) .

V70XC

- Remove the center console. See Center console, replacing: Removing the center console (V70XC) .

Removing the center console (V70)

- Slide the seat backwards and downwards
- Apply the parking brake fully
- Shift the gear selector lever to neutral
- Remove the pen holder. See Pen holder: Removing the pen holder
- Remove the side panel. See Center console, replacing: Replacing the side panel
- Remove the rubber mat from the storage compartment
- Slacken off the 2 screws at the front and rear edges of the center console



- Remove the gear shift selector panel. See Center console, replacing: Replacing the gear selector panel
- Remove the side piece for the parking brake. See Center console, replacing: Replacing the parking brake panel
- Remove the rear ashtray. See Center console, replacing: Replacing the rear ashtray
- Begin by carefully lifting the center console at the front edge. Lift the console past the guide lugs
- Lift at the rear edge and slide the center console over the parking brake.

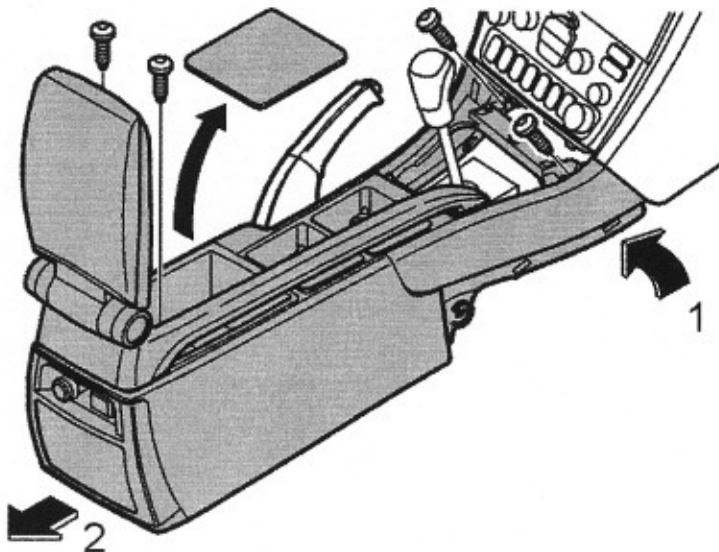
Installing the center tunnel console

Install:

In reverse order.

Removing the center console (V70XC)

- Slide the seat backwards and downwards
- Apply the parking brake fully
- Shift the gear selector lever to neutral
- Remove the pen holder. See Pen holder: Removing the pen holder
- Remove the side panel. See Center console, replacing: Replacing the side panel
- Remove the rubber mat from the storage compartment
- Slacken off the 2 screws at the front and rear



edges of the center console

- Remove the gear shift selector panel. See Center console, replacing: Replacing the gear selector panel
- Remove the side piece for the parking brake. See Center console, replacing: Replacing the parking brake panel
- Remove the rear ashtray. See Center console, replacing: Replacing the rear ashtray
- Begin by carefully lifting the center console at the front edge. Lift the console past the guide lugs
- Lift at the rear edge and slide the center console over the parking brake.

Installing the center tunnel console

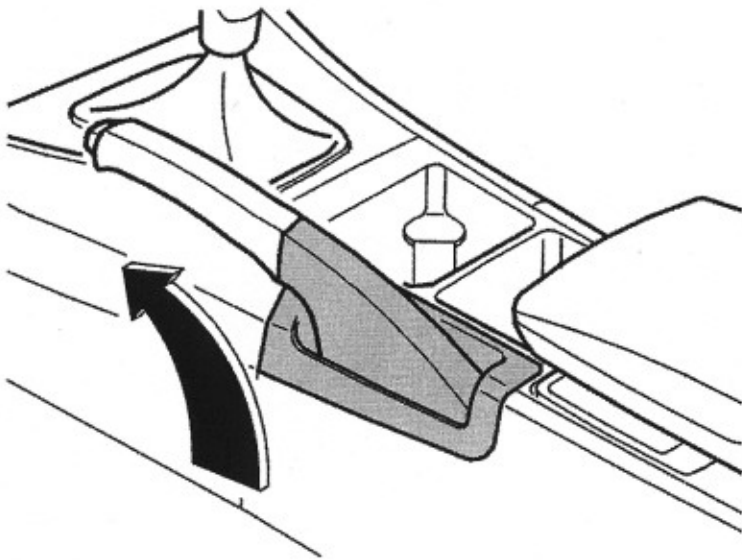
Install:

In reverse order.

Components center console, replacing

Replacing the parking brake panel

- Lift the panel straight up
- Thread the boot over the parking brake lever.

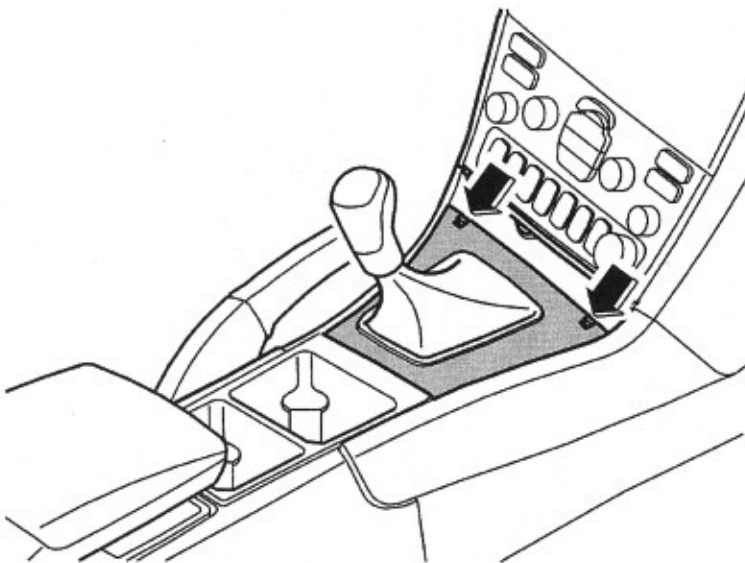


Install:

In reverse order.

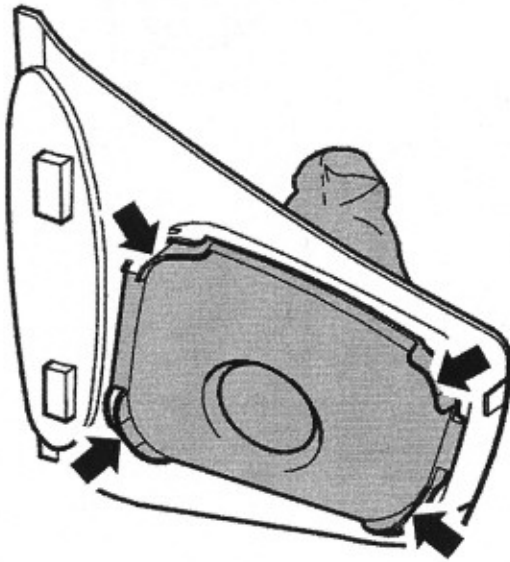
Replacing the gear selector panel

- Move the gear selector to a rear position
- Release the catches at the front edge
- Lift the front edge of the panel
- Lift up the panel.



Release the four catches on the underside.
Press up the inner section of the panel.
Release the frame.

Note! Do not pull or lift the boot. Doing so could damage the seams.



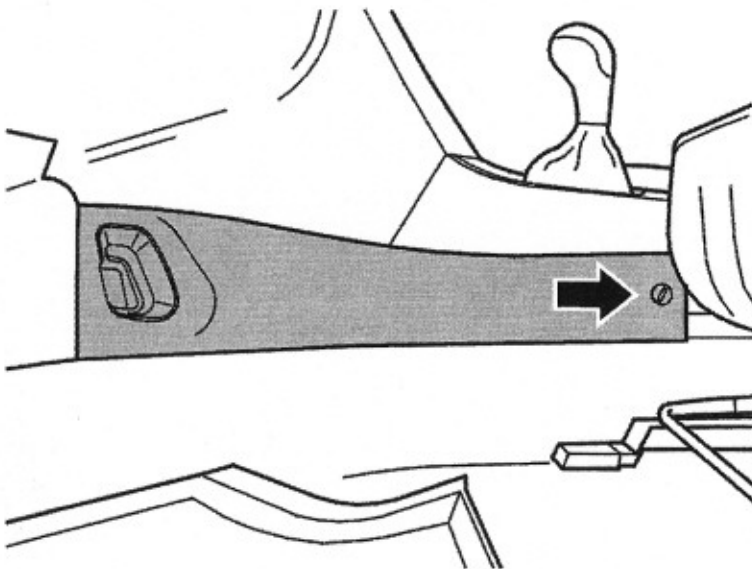
Install:
In reverse order.

Replacing the side panel

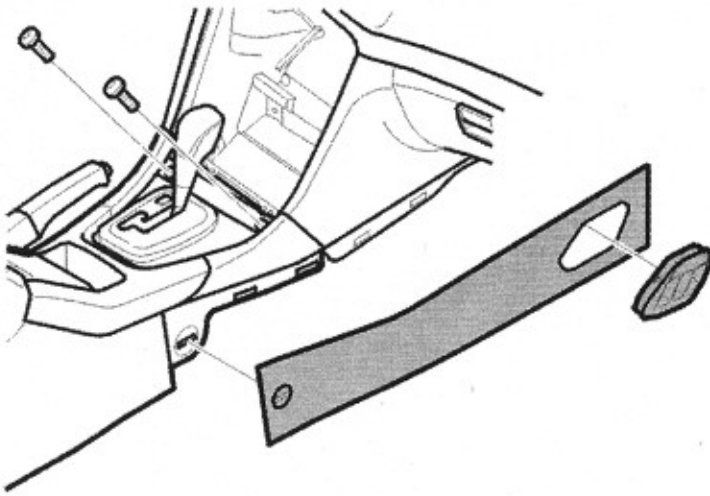
- Remove the soundproofing panel
- Move the front seat to the rearmost position
- Turn the clips a 1/4 turn.

Hint:
Use a washer or a coin.

- Slide the panel backwards
- Remove the panel.



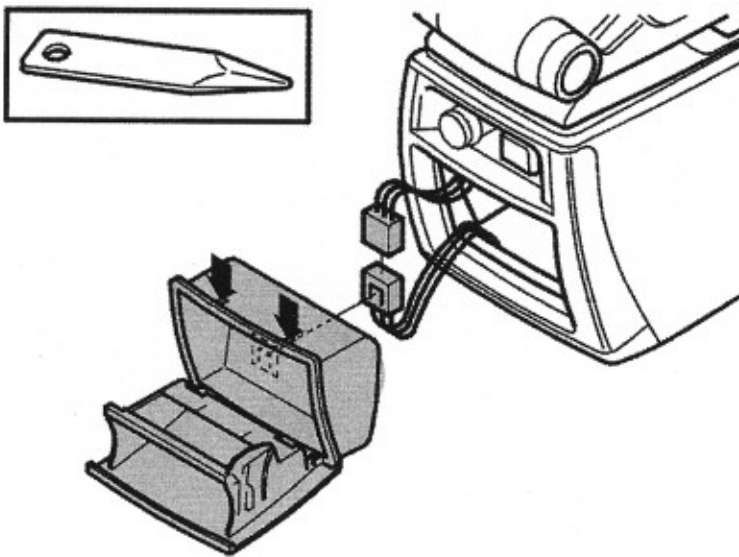
- Unsnap the nozzle.



Install:
In reverse order.

Replacing the rear ashtray

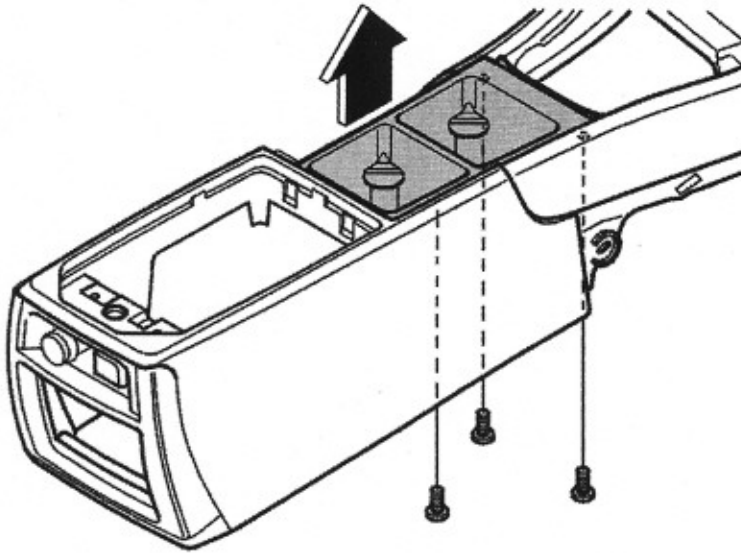
- Open the ashtray so that it passes the hooks
- Release the ashtray by pressing the top edge
- Press down slightly
- Release the catches on the side
- Pull the holder backwards
- Remove the connector.



Install:
In reverse order.

Replacing the center ashtray

- Remove the three screws
- Release the ashtray by pressing the top edge.



Install:
In reverse order.

Replacing the front and rear box

Remove the rear box:

- Slacken off the 2 screws at the rear edge
- Release the front edge by pressing the box together.

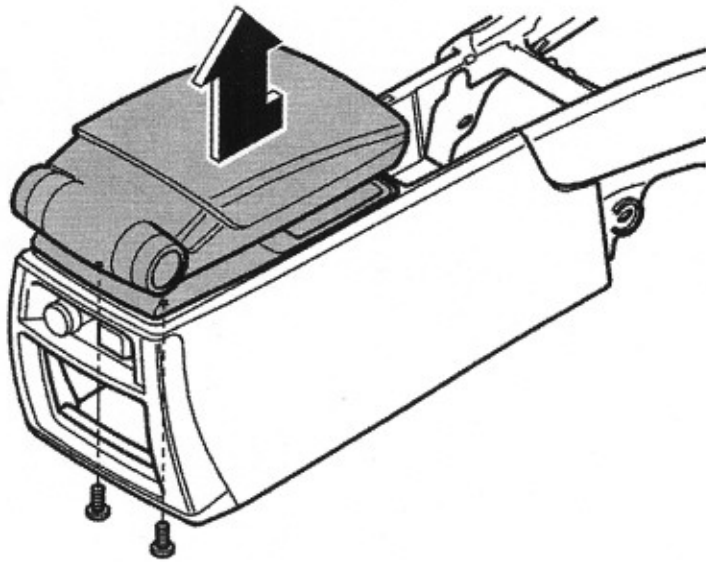
Remove the front box:

- Slacken off the 2 screws at the front edge
- Release the rear edge by pressing the box together.

Install:
In reverse order.

Replacing the storage compartment

- Remove the two screws
- Lift the storage compartment

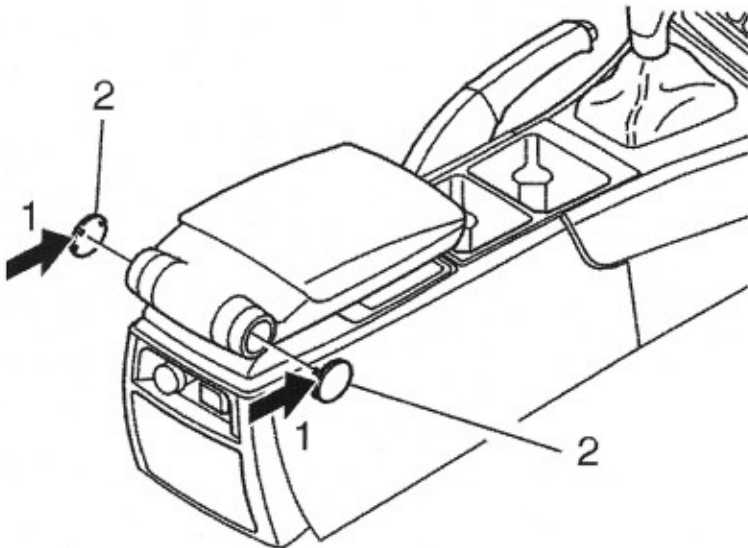


backwards and upwards.

Removing the armrest

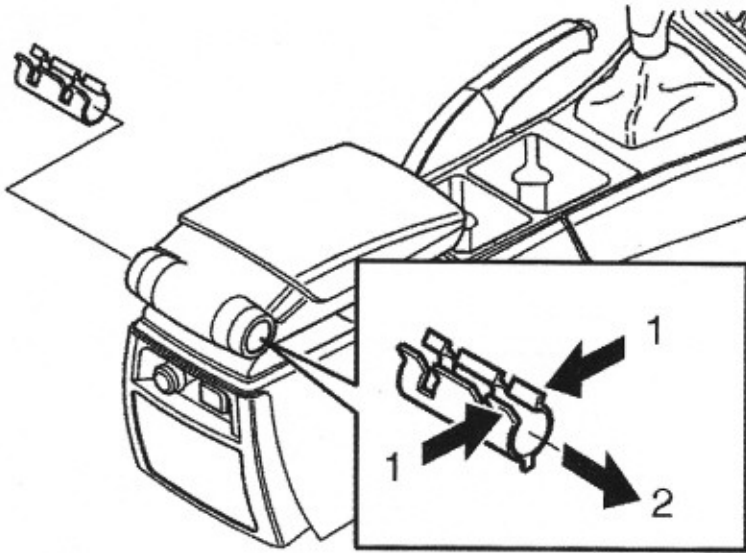
Carefully remove the cover (2).

Hint:
Hold the rear end (1).

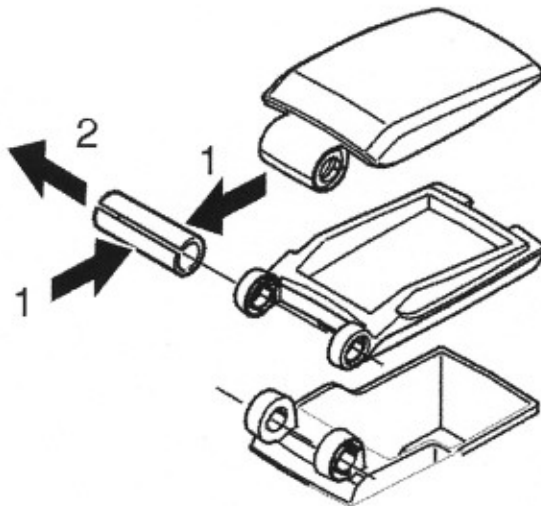


Note! Use round-nosed pliers.

Remove the catch by pressing it together (1) and pulling it straight out (2).



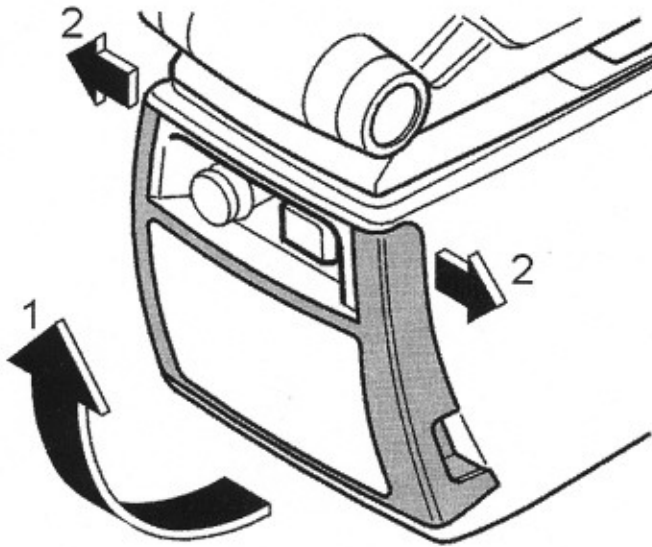
Pres the shaft together (1) and pull straight out (2).
Separate the armrest



Install:
In reverse order.

Replacing the rear waste paper basket

- Pull the waste paper basket backwards and upwards (1)
- Unclip the upper mounting by angling the edges outwards (2)
- Lift out the waste paper basket.

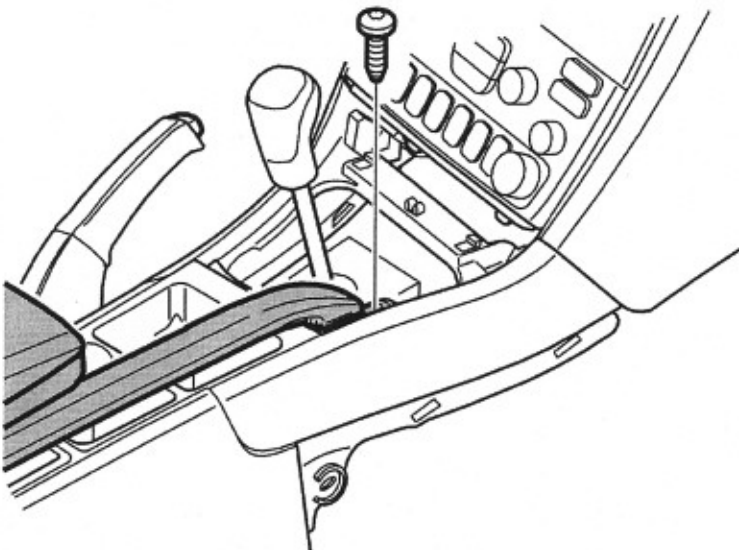


Removing the handset

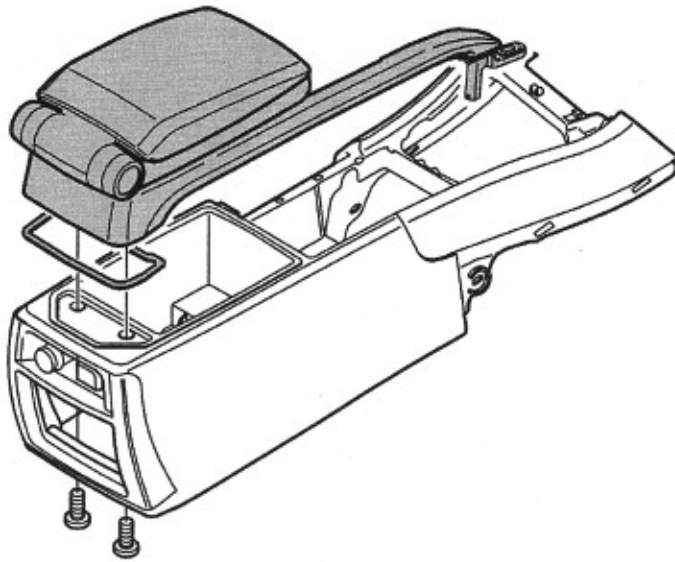
Remove the handset.
See Handset, replacing .

**Removing the handle
(Applies only to
V70XC)**

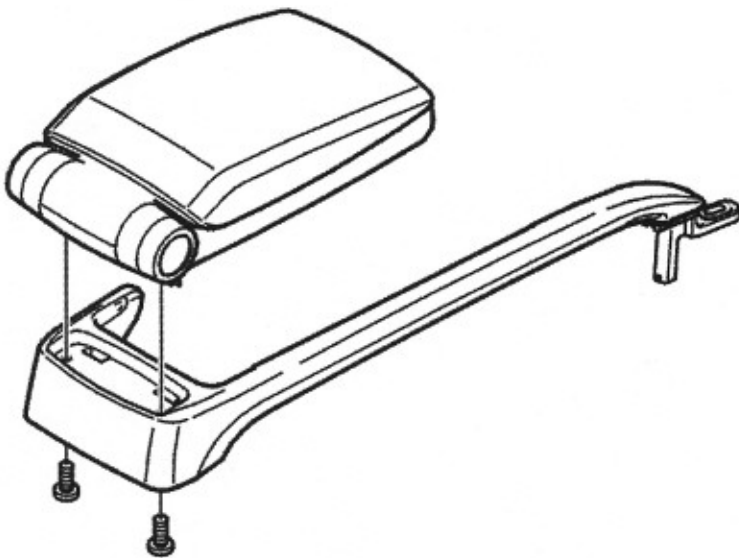
Remove one screw from the
front edge.
Remove the handle.



Remove the two screws.
Press off the handle at the
front edge of the center
console.



Remove the two screws from the rear edge. Remove the center console locker.



**Installing the handle
(Applies only to
V70XC)**

- Install:
- the storage compartment
 - the handle
 - the center console.

PRINT

19/5/2010