

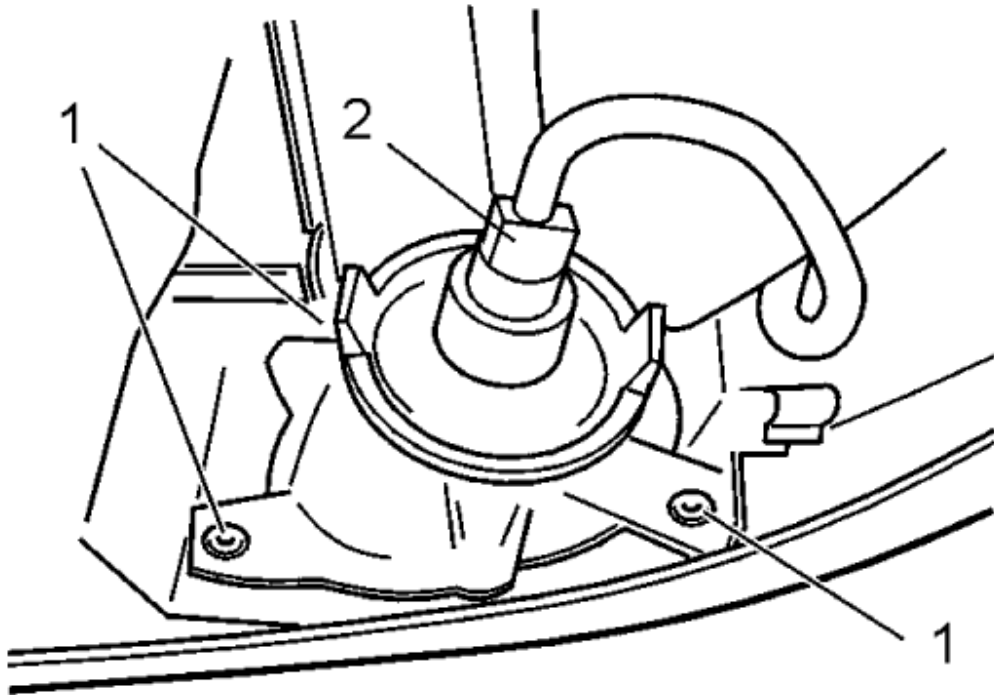
Front Fog Lamp Bulb

Removal

Bulb

- Remove the air baffle on the left and right-hand sides
- Twist off the bulb holder
- Remove the bulb.

Fog lamp assembly



- Remove the air baffles on the left and right-hand sides
- Remove the center air baffle
- Remove the three screws (1)
- Remove the fog lamp
- Disconnect the connector (2).

Installation

Fog lamp and bulb

In reverse order.