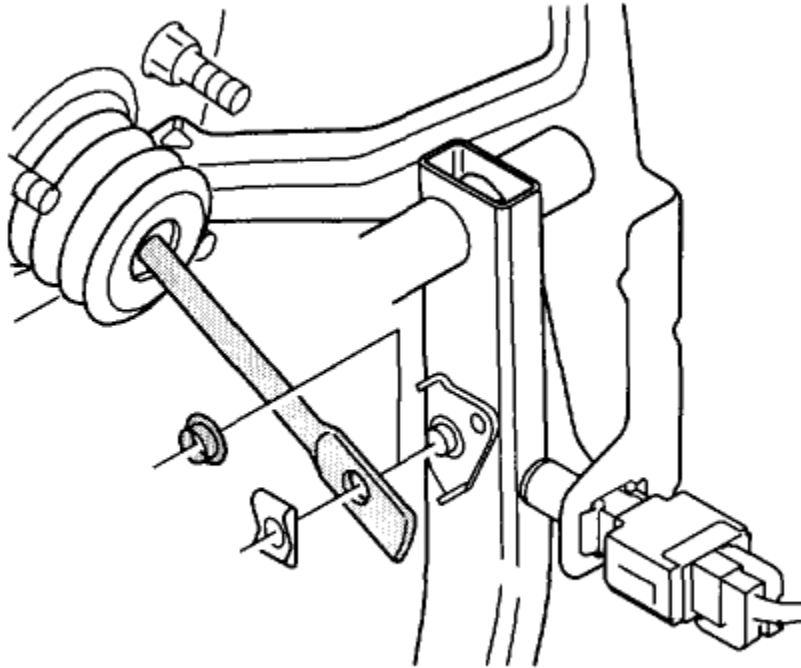


Bushing, Push Rod, Replacing Bushing, push rod, replacing

Remove bushing

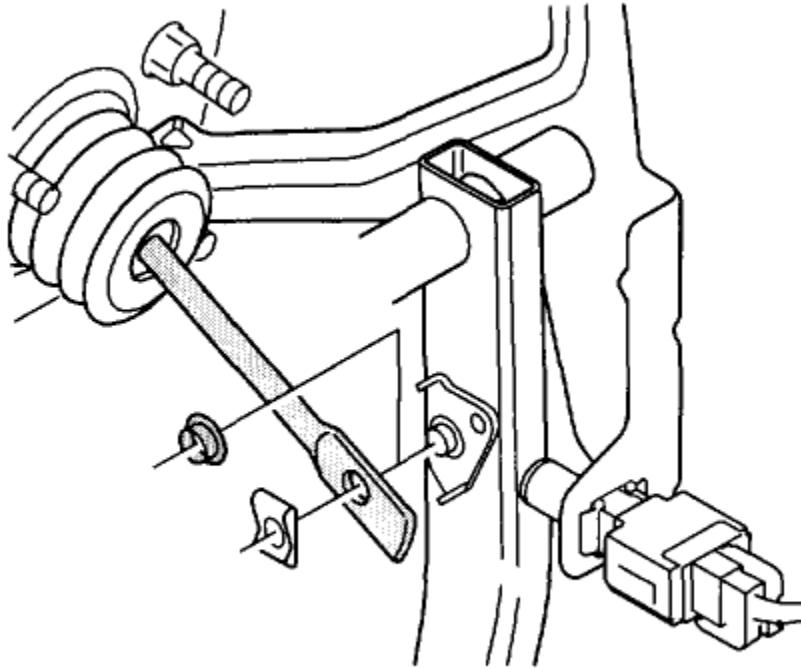


Remove:

- the driver's side soundproofing panel.
- push rod clip
- push rod from brake pedal
- the small bushing from the brake pedal.

Install the new bushing

Lubricate the new bushing using grease, P/N 1161241-3.



Install:

- the bushing on the brake pedal
- the push rod and the clip
- the soundproofing panel.