

## Interior/Audio System - Dash Speaker Grille Removal

S60 / V70 / 70XC 2001- / S80

1999 -

Section:3

Group:39

No:

0034

Year:02

Month:08

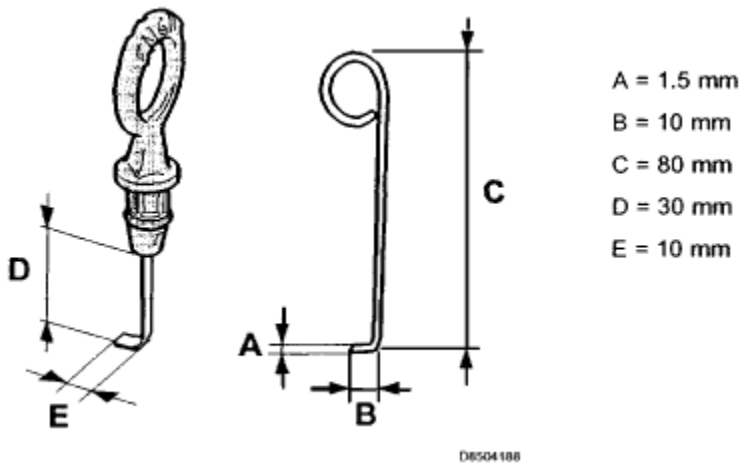
Removing the loudspeaker grille on the dashboard

Background:

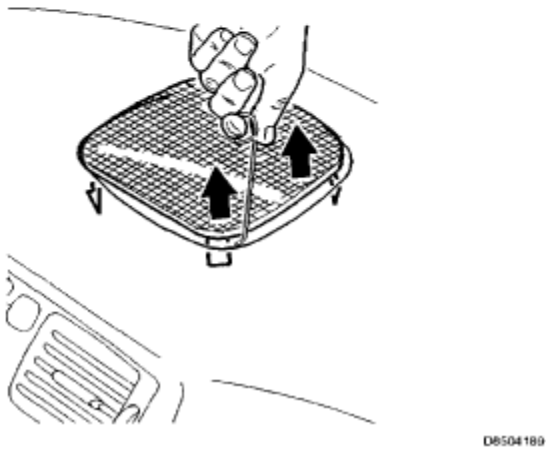
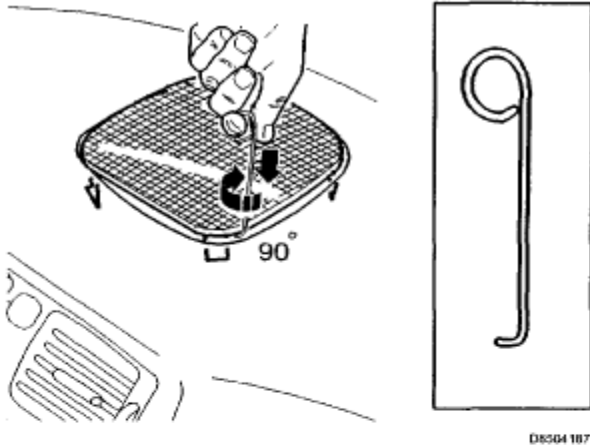
New method for removing the loudspeaker grille from the dashboard.

Loudspeaker grille dashboard, removing

Making tools



Make a tool from a welding rod, dip stick or similar. See the dimensions in the illustration.



The method can be used for different types of loudspeaker grilles. Only one type of grille and tool is displayed in the illustration.

Insert the tool down into the gap between the loudspeaker grille and the upholstery at one of the clip mountings on the dashboard.

Turn the tool 90° so that the bent section engages under the loudspeaker grille (tool in the drawing applies to welding rod (wire) tools).

Pull the tool straight up so that the loudspeaker grille releases from the dashboard.

Remove the grille by pulling the grille from the other mountings by hand.

**Note!** Do not use pulling hook J45893 (see STB 135).