

Front Brake Discs

Replacing Front Brake Discs

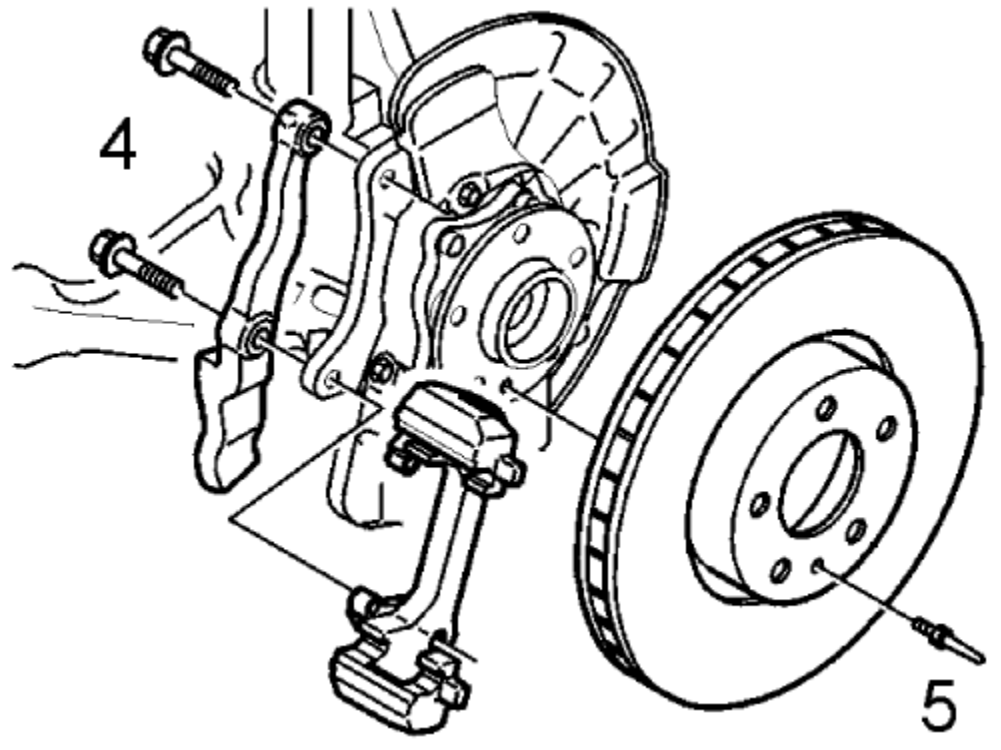
Removal

Remove the securing spring and locating pins

Remove the [brake caliper](#) and [brake pads](#)

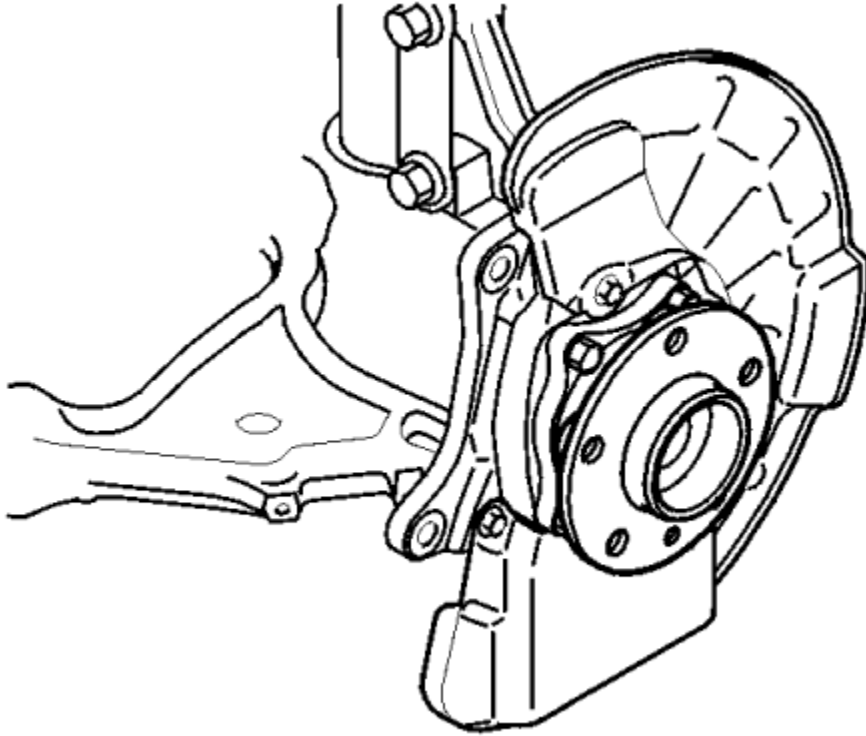
Remove the caliper holder and the brake disc

Remove:



- both the mounting screws (4) for the caliper holder. Remove the holder
- the locating pin (5) and the brake disc.

Cleaning and inspection



NOTE: Cleaning is important to prevent lateral runout at the brake disc

Clean the hub flange before installing the new brake disc.
Check the hub. If it is damaged, measure the lateral runout.

Installation

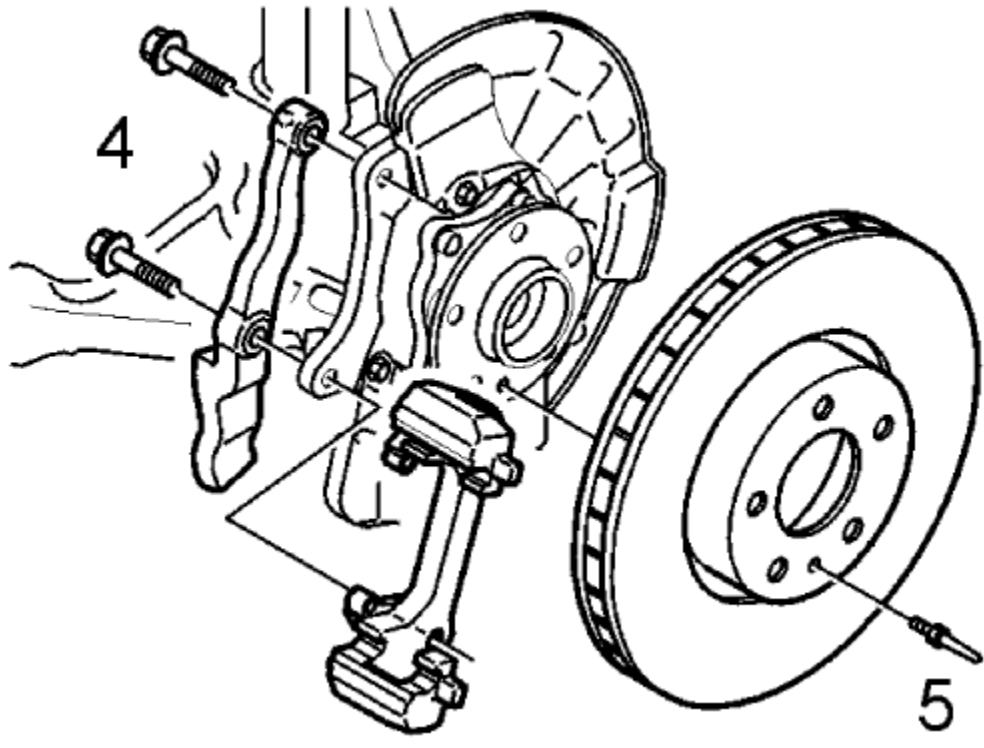
Install the brake disc

NOTE: Be careful when handling the new brake disc. Careless handling can cause damage to the brake disc (out-of-true).

Install

- the new brake disc. Tighten the locating pin (5). Tighten to **8 Nm**
- the caliper holder. Use new mounting screws (4). Tighten to **100 Nm**

Install the [brake pads](#) and [brake caliper](#)



Install the locating pins in the [brake caliper](#)

Install the wheel