

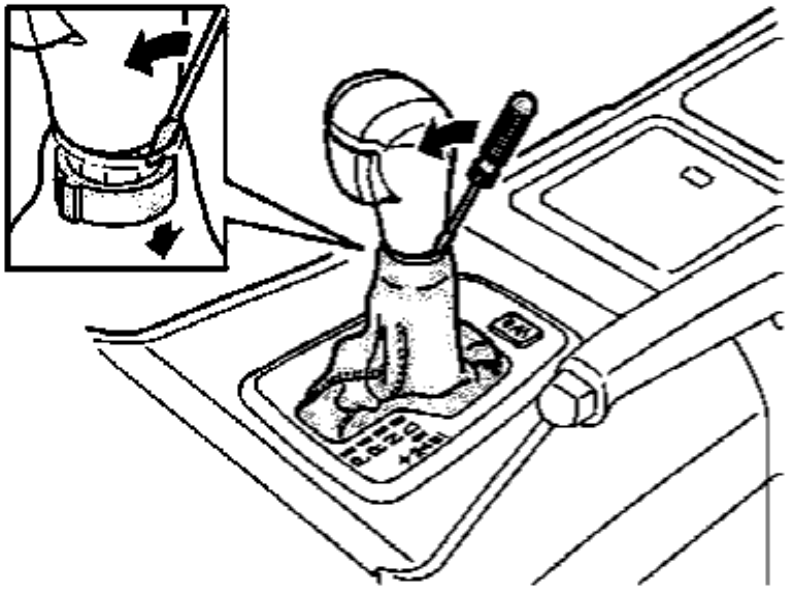
2001 Volvo V70 XC AWD L5-2.4L Turbo VIN 58 B5244T3

Gear Selector Knob, Geartronic, Replacing

Gear selector knob, Geartronic, replacing

Removal

Removing the lock bracket from the gear selector knob



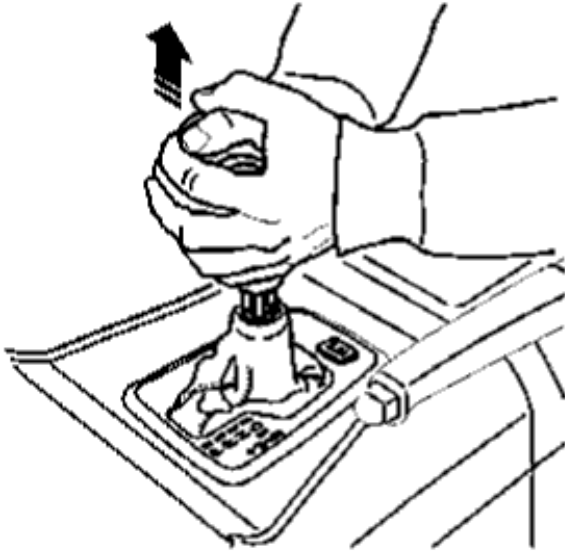
Insert a small screwdriver between the boot and the gear selector lever knob to access the lock bracket.

Carefully pry the screwdriver forward so that the lock bracket detaches from the gear selector lever knob.

Note: Only undamaged lock brackets can be reused.

Removing the gear selector knob

Remove the gear selector knob as follows:



Stand astride the center console. Grasp the gear selector lever knob with both hands. Pull it straight upwards with a hard jerk.

Removing the panel

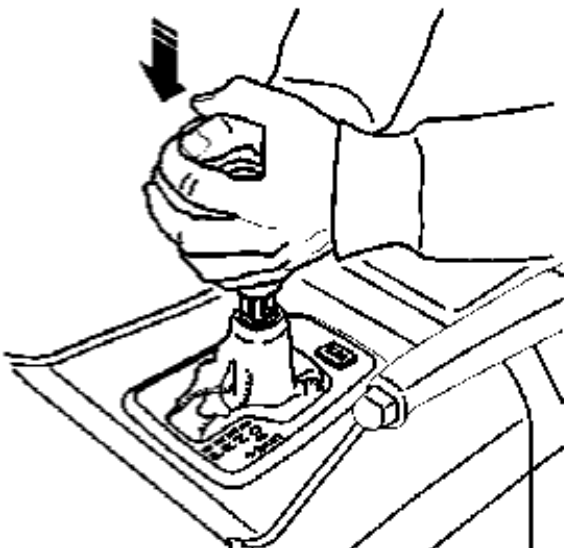
Remove the panel.

Removing the top panel

Remove the top panel.

Installation

Installing the gear selector knob



Press the gear selector knob so that it locks in the lever.

If necessary: Use a sheet plastic hammer and a shim to carefully hit the knob down on to the gear selector lever.

Check

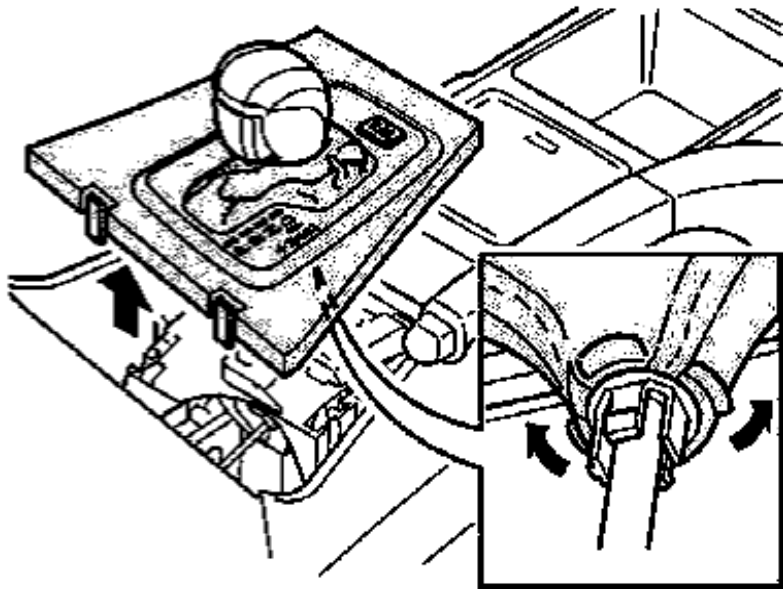
Pull the gear selector knob.

Check that the lock function operates in its positions.

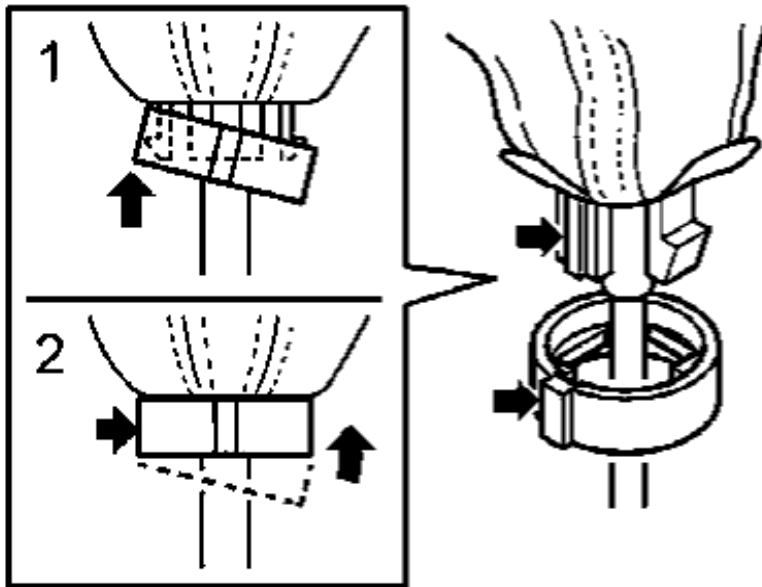
Note: The gear selector knob may be reused a maximum of four times

Pull the top panel and the boot up towards the gear selector knob.

Pull the boot upwards from below so that the locking for the gear selector knob is completely free.



Installing the lock bracket on the gear selector knob



Note: The locking sleeve cut-out must be forwards so that it passes into the gear selector knob guide.

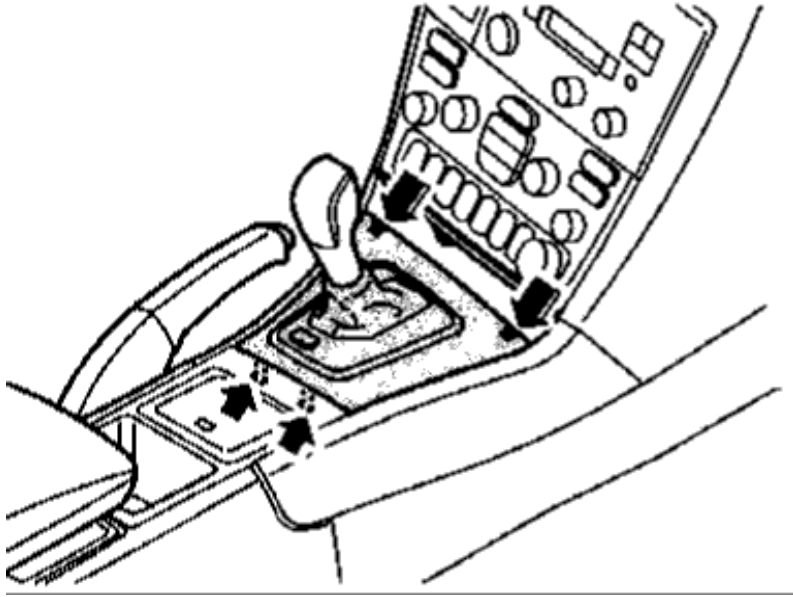
Slide the locking sleeve and boot up to the knob guide.

Pull up the sleeve so that it locks on one side (1).

Press hard on the lock side of the locking sleeve (2). At the same time, pull the locking sleeve up towards the boot so that it locks.

Note: Check that the boot is correctly positioned. Adjust if necessary.

Installing the top panel



Angle the panel downwards. Press the top panel into place in the center console.

Install the panel (the pen holder) between the center console and the dashboard.