

Pedal Position Sensor, Replacing Pedal Position Sensor, Replacing

NOTE: The illustrations in this service information are used for different model years and/or models. Some variation may occur. However, the essential information in the illustrations is always correct.

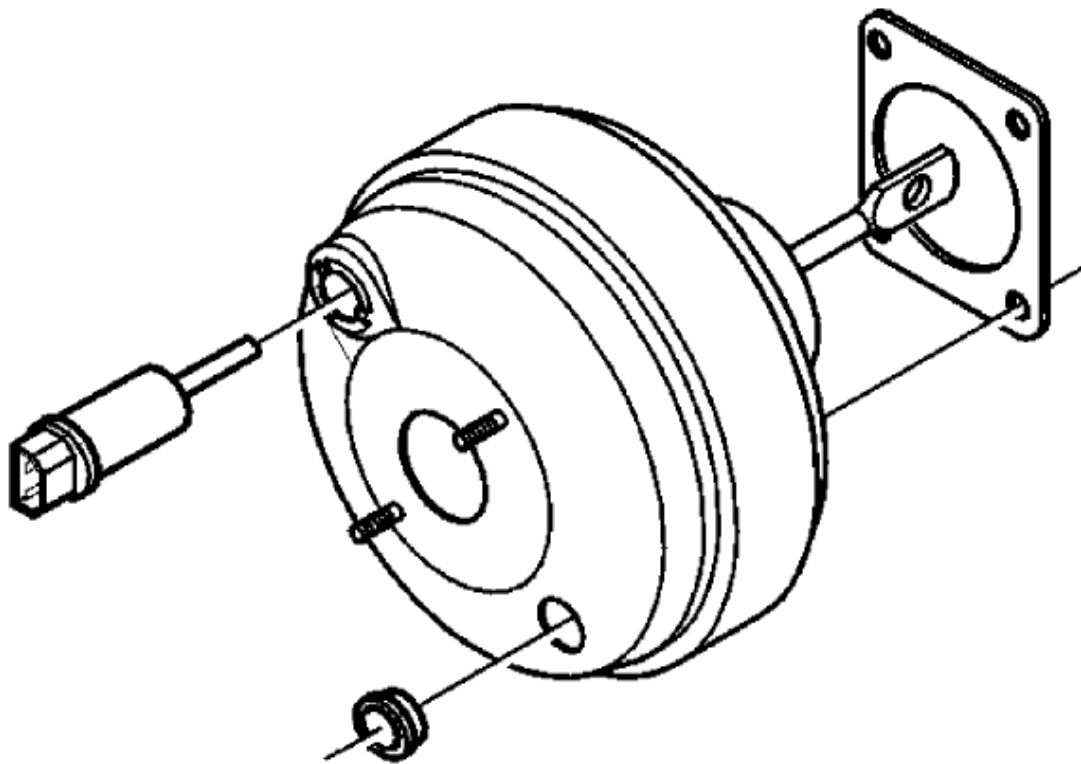
Preparatory work

Ignition off.

Press the brake pedal a few times until the pedal becomes stiff and rises slightly. This releases the vacuum in the brake servo and prevents the O-ring from being sucked in when the pedal position sensor is removed.

Removal

Removing pedal position sensor

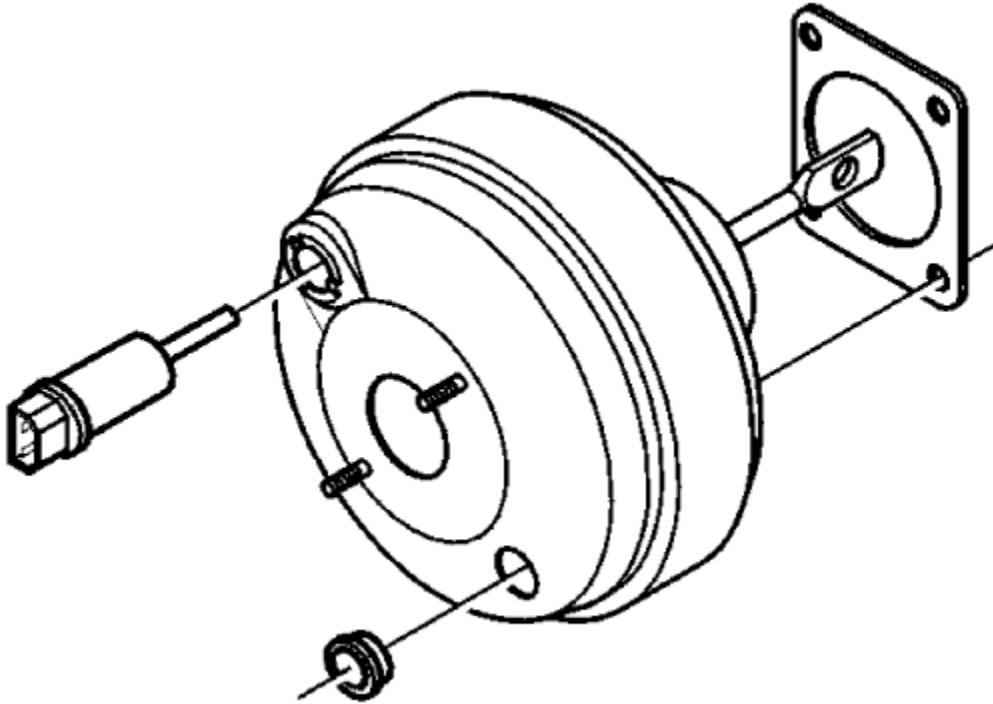


Slacken off the snap ring around the mounting on the sensor slightly. Insert a narrow screwdriver or wedge. Press one end of the snap ring in approximately **10 mm**. Press radially backwards in the groove in the snap ring. Pull out the sensor slightly and disconnect the connector. Remove the sensor and the O-ring.

Installation

Installing pedal position sensor

Install:



- The O-ring on the sensor
- the sensor for the brake servo so that the locking lug goes into position. Press the snap ring into its original position if necessary.

Gently pull the sensor. Check that the sensor is secure.

Connect the connector.