

## XC Front Brake Pad Replacement

2001 Volvo V70 XC AWD L5-2435cc 2.4L Turbo VIN 58 B5244T3 LT

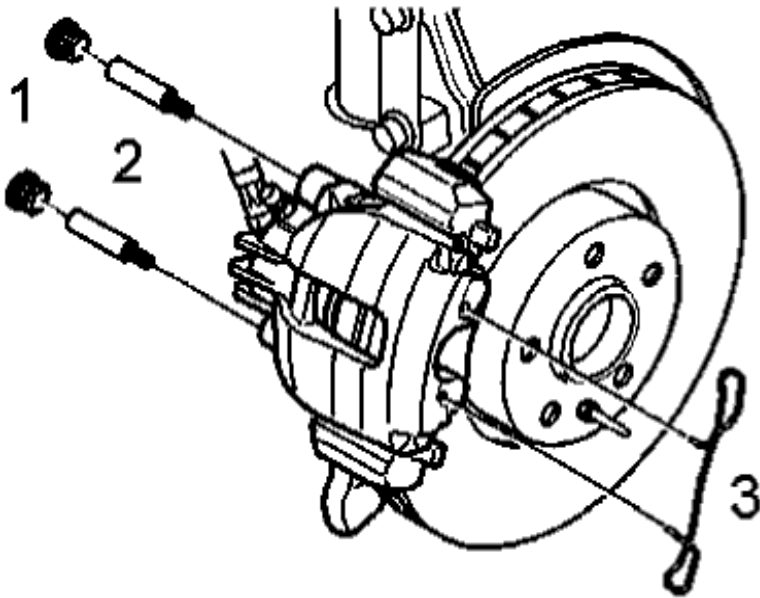
### Brake Pads, Front, Replacing

#### Brake pads, front, replacing

#### Removal

**Note:** Minimum thickness for replacing the brake pads = **3.0 mm** .

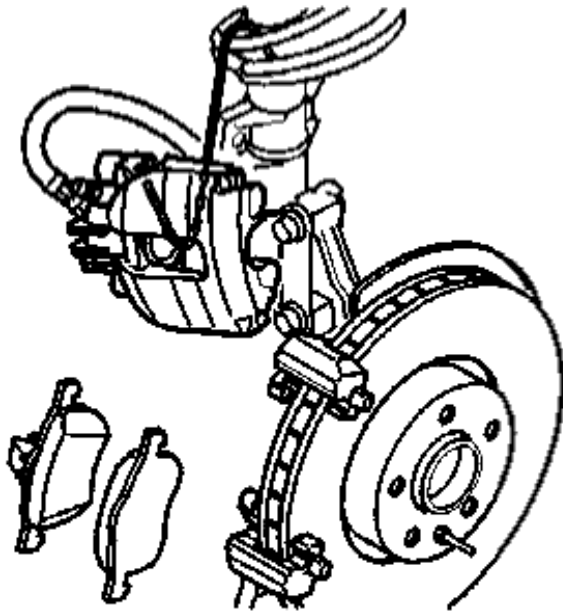
#### Remove the securing spring and locating pins



#### Remove:

- \* the securing spring (3) carefully so that it does not deform
- \* the protective caps (1) from the two locating pins (2)
- \* the locating pins, use hex socket 7 mm.

### **Remove the brake caliper and brake pads**

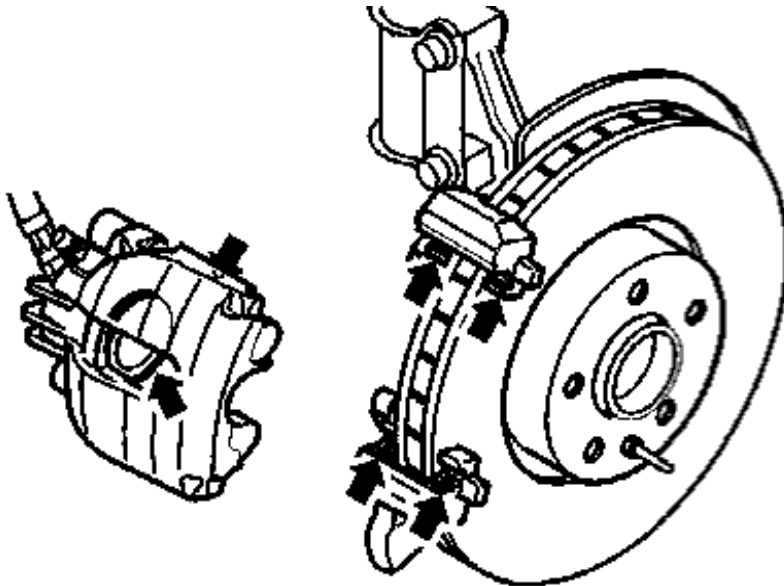


### **Remove:**

- \* the brake caliper from the holder
- \* the brake pads. Hang brake caliper from a steel wire from the front spring so as not to damage brake hose.

**Note:** Do not depress the brake pedal while the brake pads are removed.

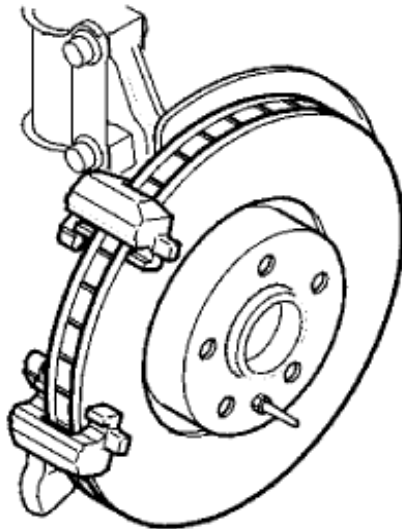
### **Clean and check brake caliper and dust cover**



Clean and check brake pad mating surfaces in the brake caliper and caliper holder.  
Check piston dust boot. Replace dust boot if it is damaged.

**Note:** If the dust boot is damaged dirt may have penetrated the cylinder. The brake caliper must be reconditioned.

### **Check the brake disc**



---

Check brake disc friction surfaces.

If the brake disc displays signs of out-of-true, check its lateral runout.

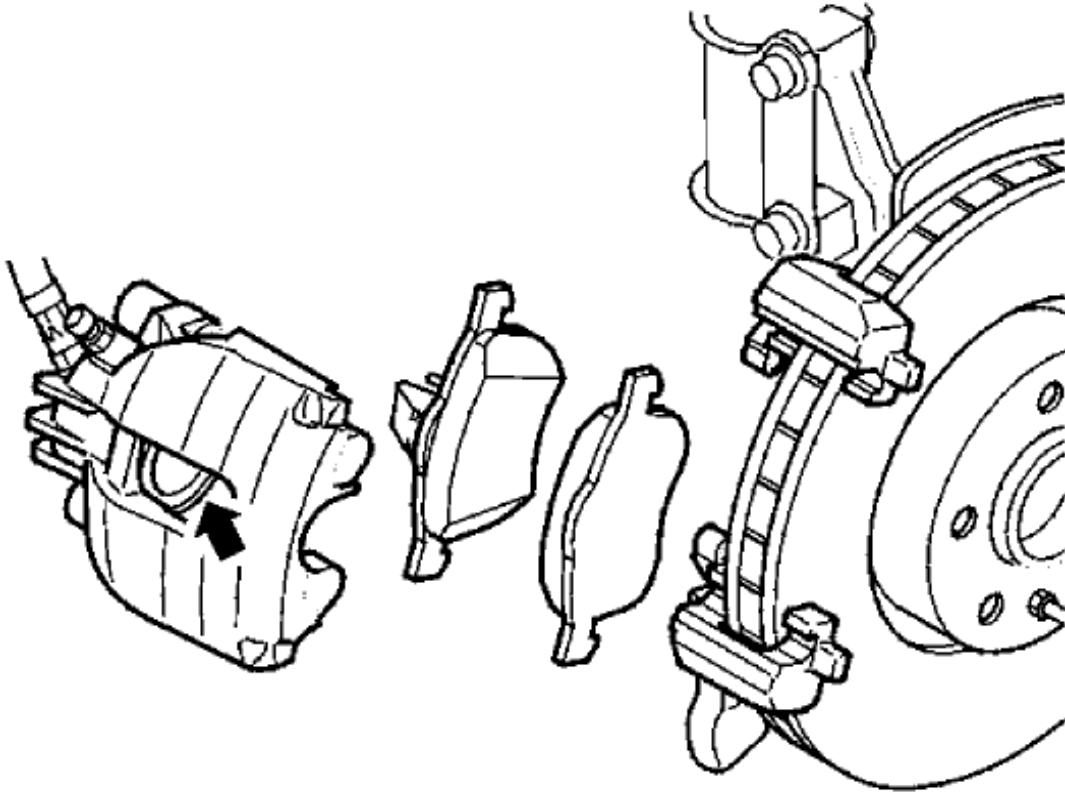
Replace the brake disc if it displays signs of heavy wear variable thickness or similar.

**Note:** Minimum recommended disc thickness / replacement limit = **23.0 mm** . Minimum recommended disc thickness when installing new brake pads = **23.8 mm** . For 16" brake discs the minimum thickness / replacement limit = **25 mm** . Minimum recommended disc thickness when installing new brake pads = **25.8 mm** .

## Installation

### Install the brake pads and brake caliper

Press piston back into cylinder on brake caliper.  
Check that the dust cover is correctly positioned.



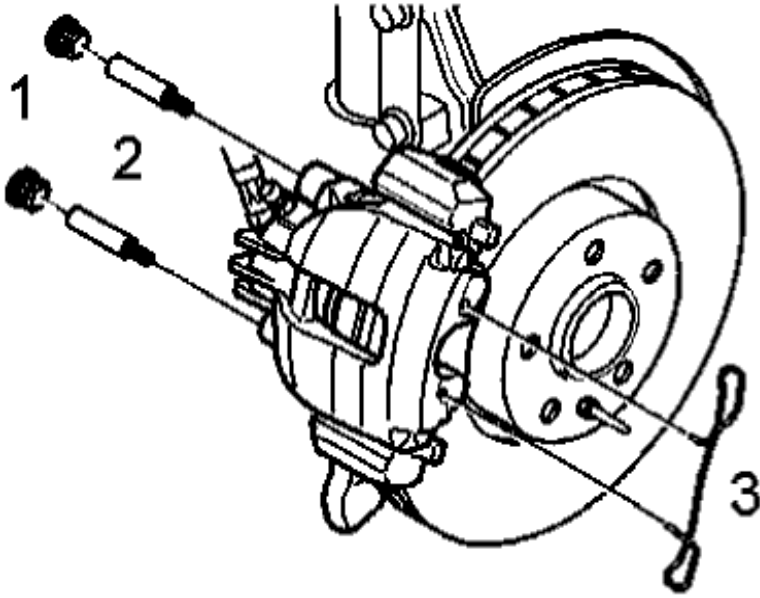
---

### **Install:**

- \* new brake pads
- \* the brake caliper.

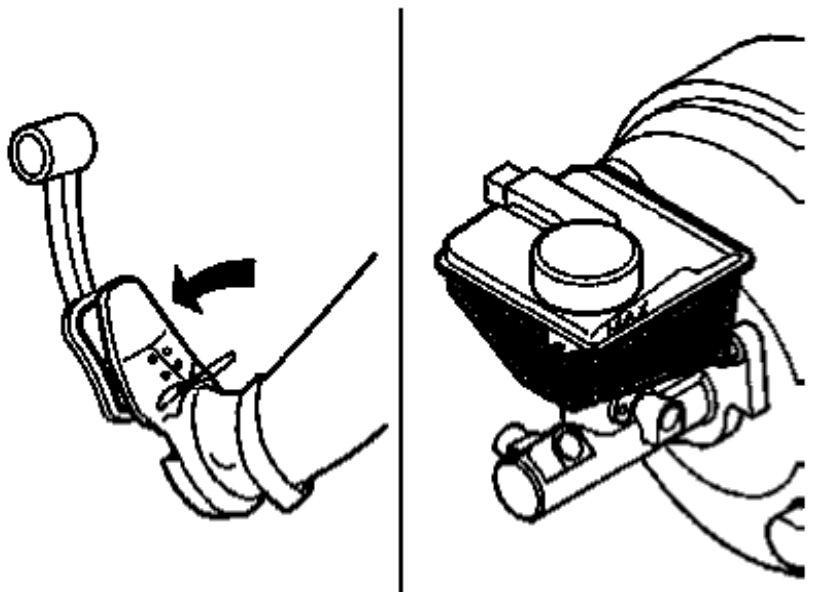
### Install the locating pins in the brake caliper

Check the rubber sleeves of the locating pins. Replace if necessary.



Lubricate the locating pins (2) with grease, P/N 1161325-4. Insert the locating pins into the rubber sleeves. The pins should slide into the sleeves easily. Tighten locating pins. Tighten to **30 Nm** . Install protective caps (1). Install the retaining spring (3).

#### **Check brake fluid level in reservoir**



Depress the brake pedal a few times. Check the level of the brake fluid reservoir.

Top up if necessary.

**Install the wheels**

**Installing wheels**

<b>Parts</b>	<b>OEM Part</b>	<b>Price</b>
--------------	-----------------	--------------

**Brake Pad**

Front Pads		
16" Wheels	8634921	\$68.56
15" Wheels	8634921	\$68.56
Rear Pads	8634925	\$45.57

<b>Labor</b>	<b>Skill Level</b>	<b>Warr.</b>	<b>Std.</b>
--------------	--------------------	--------------	-------------

**Brake Pad**

**Replace**

Front Pads	B	0.7	0.9
Rear Pads	B	0.5	0.8

**Note:**

To R&R Rear Parking Brake Cable, add:

Both Sides	B	0.0	1.1
------------	---	-----	-----

To R&R Brake Hoses, add:

Each	B	0.0	0.1
------	---	-----	-----

To R&R Parking Brake Shoes, add:

Both Sides	B	0.3	0.4
------------	---	-----	-----

To R&I or R&R Rotor, add:

Rear

Both Sides	B	0.5	0.8
------------	---	-----	-----

One Side	B	0.3	0.4
----------	---	-----	-----

Front

Both Sides	B	0.3	0.4
------------	---	-----	-----

One Side	B	0.2	0.2
----------	---	-----	-----

To Reface Rotor, add:

Each	B	0.0	0.4
------	---	-----	-----

To R&R Caliper, add:

Each	B	0.0	0.2
------	---	-----	-----

To Overhaul Caliper, add:

Each	B	0.0	0.3
------	---	-----	-----

To Adjust Parking Brake, add:

B	0.0	0.2
---	-----	-----

Both Front & Rear Pads, add:

B	1.2	1.6
---	-----	-----

**Specifications - Front**

**Notes**

Thickness	New	14 mm
-----------	-----	-------

Minimum	3 mm
---------	------