

Headlight Bulb Replacement/Cable Adaptor

2001 Volvo V70 XC AWD L5-2435cc 2.4L Turbo VIN 58 B5244T3 LT

Headlight Bulb - Replacement - (TSB 3370014)

S60/V70/V70 XC 2001

S80 - 2001

Section3

Group

37

No.

0014

Year

01

Month

10

Reference:

This Service Bulletin replaces the previous SB 37-0014 dated September 2001, which should be discarded.

Purpose:

Time allowance corrected.

Headlight bulb, replacement

Background:

When replacing the low beam bulbs in the headlights, carry out the operation on both the right and left hand sides. When replacing the headlight bulbs, an adapter cable with built in resistance must be installed between the existing cable and the headlight to increase the service life of the low beam headlight.

Model	Factory	Chassis No.
S60	2	-69192
V70 2001	1	-125897
V70 2001	2	-119840
V70 XC 2001	1	-38153
S80	1	-207840

Affected vehicles

Description	Quantity	Part No.
Repair kit	1	27285

Materials

Description	Quantity
Adapter Cable	2
Headlight Bulb	2
Tie Strap	2

Kit Contents Description

Replacing low beam headlight bulbs 1

The headlight bulbs must be replaced from the engine compartment.

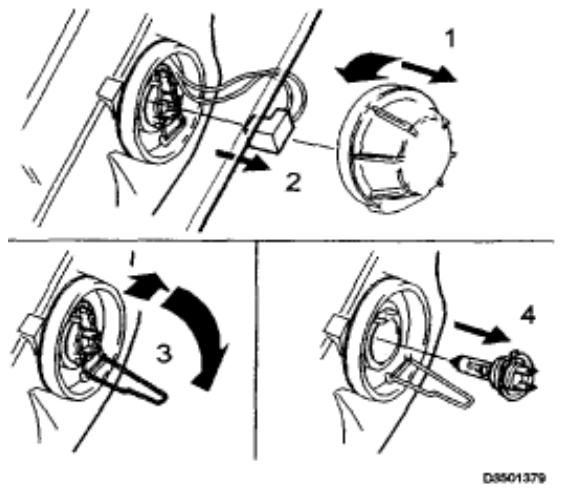
Caution! Do not touch the glass on the halogen bulbs with your fingers. Grease, oil or any other impurities can be carbonized onto the bulb causing damage to the reflector.

Be sure to use bulbs of the correct type and voltage.

To remove a defective low beam bulb. Switch off all lights and turn the ignition switch to position 0.

Removing the low beam bulb 2

Remove the:

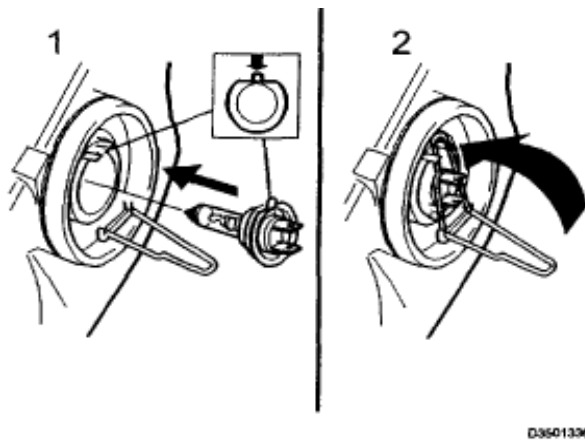


- plastic cover over the bulb (1)
- connector (2).

Loosen the retaining spring (3) by first moving it down, out of the way.

Pull out the defective bulb. **Note** the position of the guide lug on the base of the bulb (4).

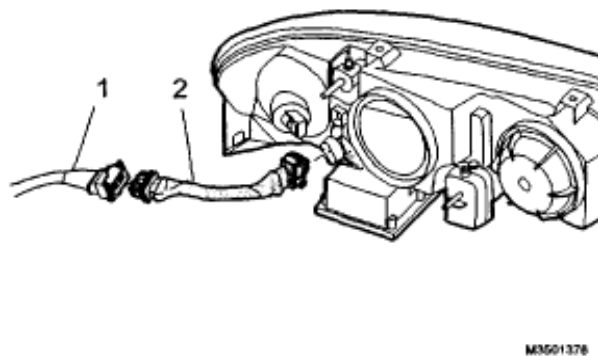
Installing the new low beam bulb



Insert the new bulb with the guide lug upwards, without touching the glass (1). The bulb will seat properly only in this position.

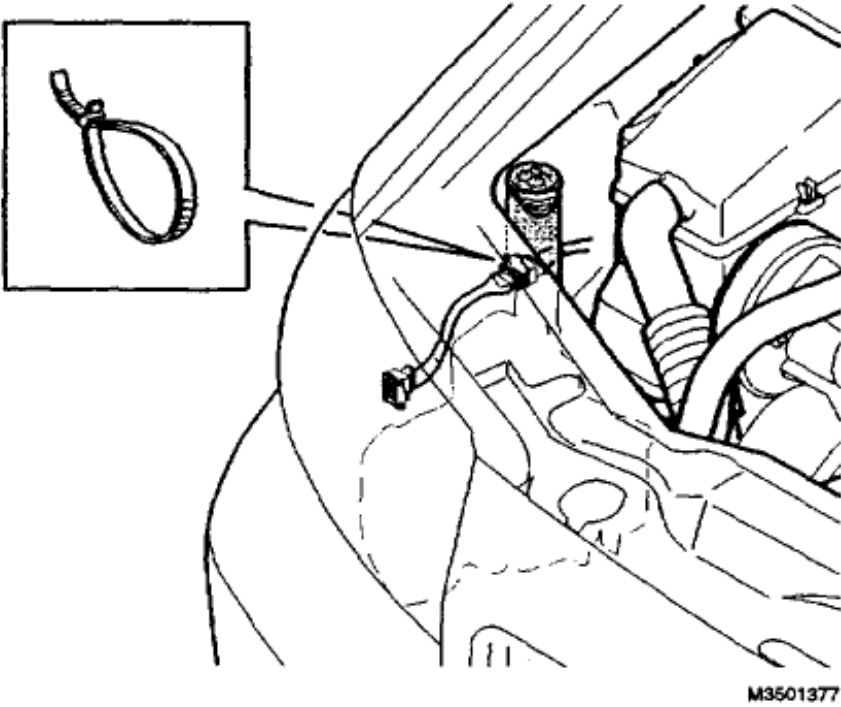
Move the retaining spring up and push it slightly to the left until it seats properly (2).

Install the adapter cable



Disconnect the connector (1) for the headlights. Install the adapter cable (2) between the disconnected cable and headlight.

Install the adapter cable on the right-hand side

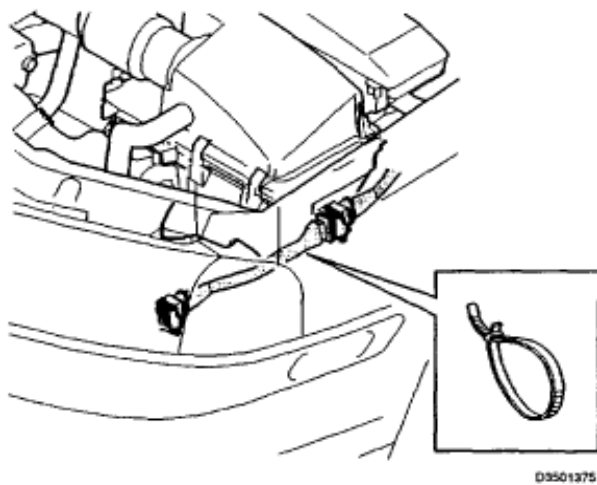


Remove the filler pipe for the windshield washer fluid. Secure the adapter cable using a tie strap around the fluid filler pipe.

Note! It is important to position the adapter cable as close to the tender liner as possible to avoid high temperatures.

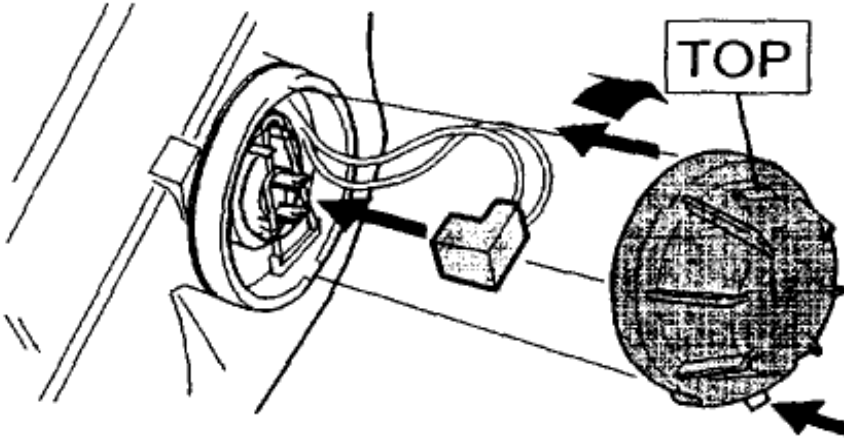
Reinstall the filler pipe.

Install the adapter cable on the left-hand side



Secure the adapter cable using a tie strap around the existing cable between the fender liner and the air cleaner (ACL) housing.

Note! Position the adapter cable between the fender liner and the air cleaner housing to avoid high temperatures.



Press the connector into place on the bulb.

Reinstall the plastic cover and turn it clockwise until it is correctly in place. "TOP" must be upwards.

Operation No.	Labor description	Time allowance
37931-2	Adapter cable headlight install	0.2 hr